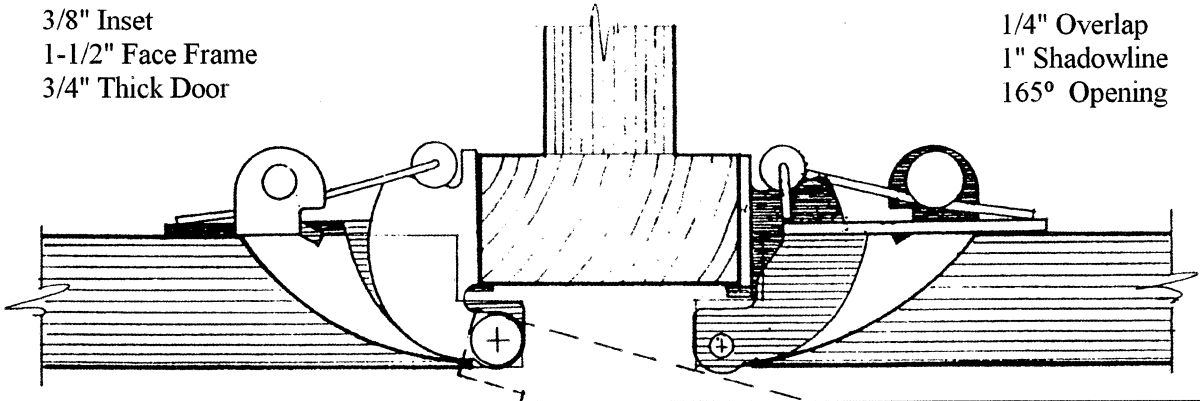


# #4 YOUNGDALE SELF CLOSING HINGE

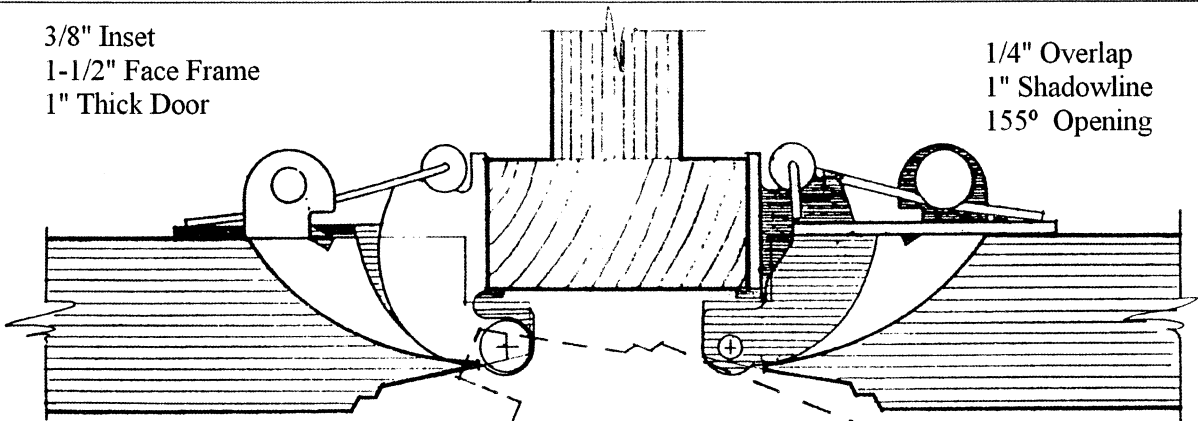
3/8" Inset  
1-1/2" Face Frame  
3/4" Thick Door

1/4" Overlap  
1" Shadowline  
165° Opening



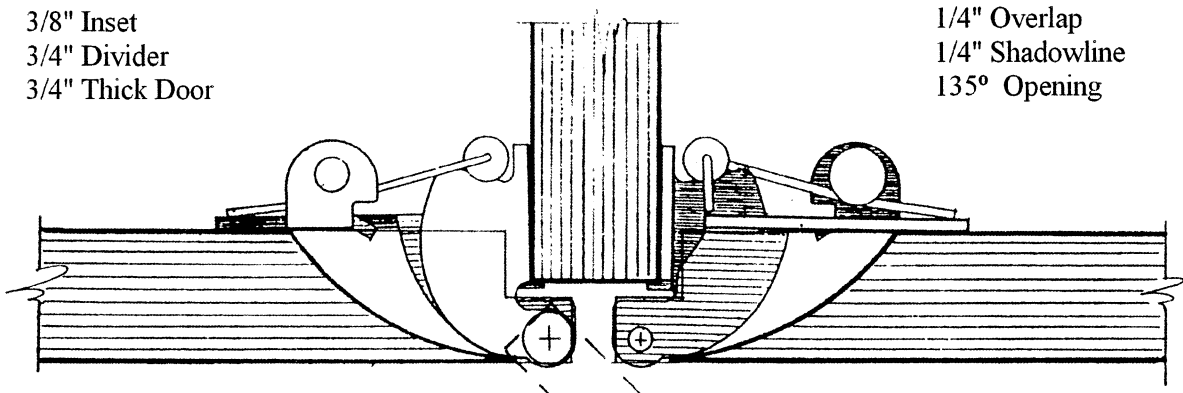
3/8" Inset  
1-1/2" Face Frame  
1" Thick Door

1/4" Overlap  
1" Shadowline  
155° Opening



3/8" Inset  
3/4" Divider  
3/4" Thick Door

1/4" Overlap  
1/4" Shadowline  
135° Opening



3/8" Inset  
3/4" Divider  
7/8" Thick Door

1/4" Overlap  
1/4" Shadowline  
115° Opening

