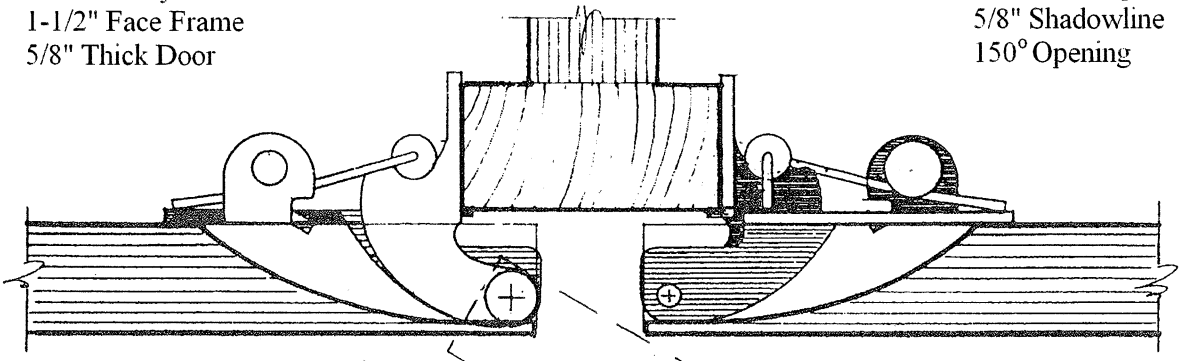


#6 YOUNGDALE SELF CLOSING HINGE

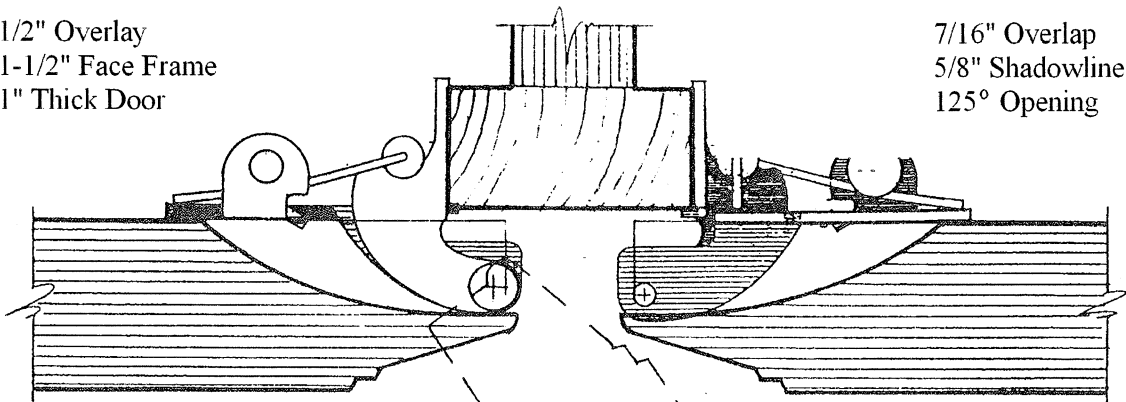
1/2" Overlay
1-1/2" Face Frame
5/8" Thick Door

7/16" Overlap
5/8" Shadowline
150° Opening



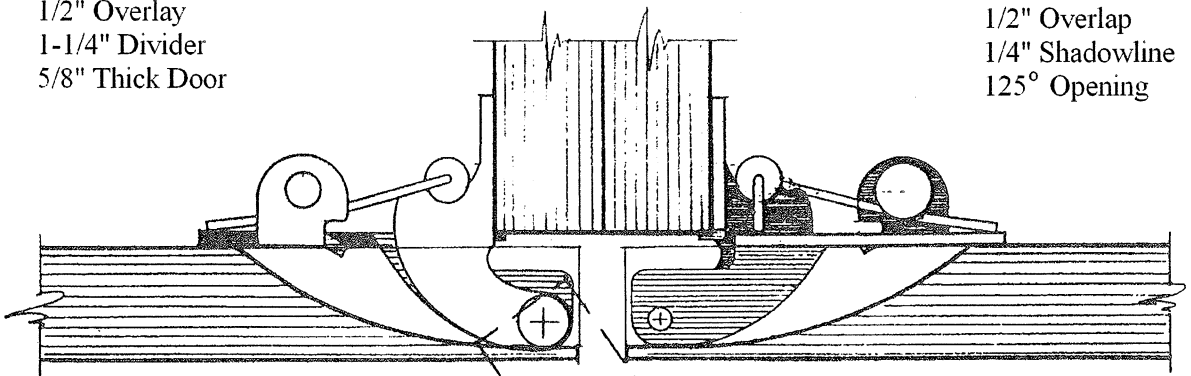
1/2" Overlay
1-1/2" Face Frame
1" Thick Door

7/16" Overlap
5/8" Shadowline
125° Opening



1/2" Overlay
1-1/4" Divider
5/8" Thick Door

1/2" Overlap
1/4" Shadowline
125° Opening



1/2" Overlay
1-1/2" Face Frame
1" Thick Door

7/16" Overlap
5/8" Shadowline
120° Opening

