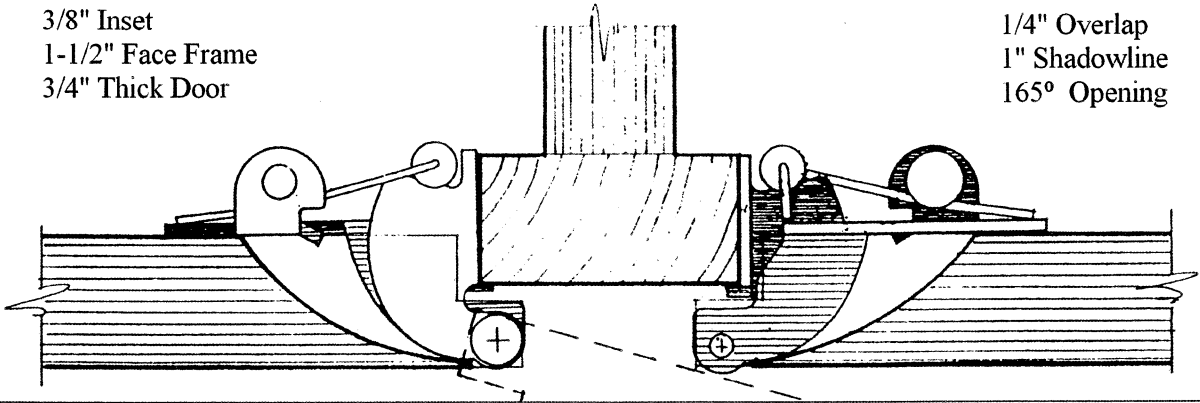


#4 YOUNGDALE SELF CLOSING HINGE

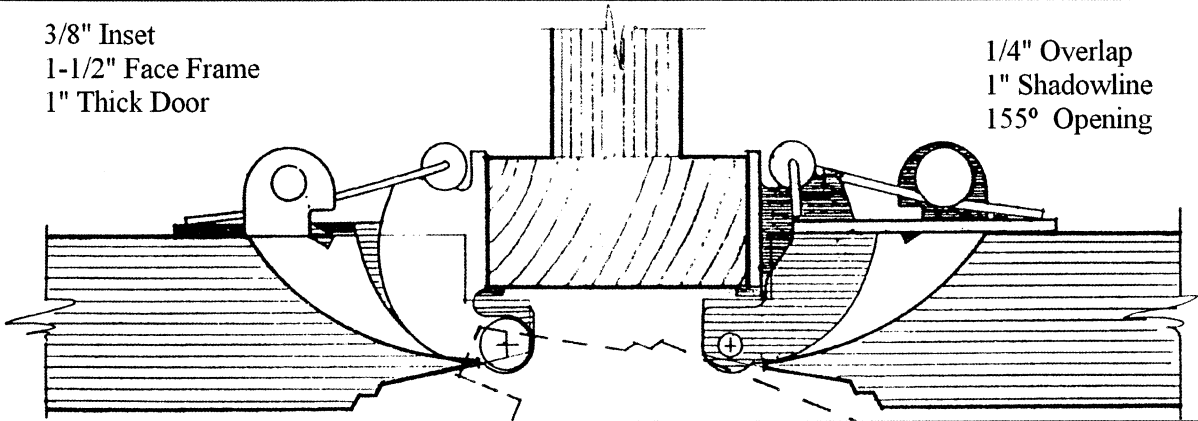
3/8" Inset
1-1/2" Face Frame
3/4" Thick Door

1/4" Overlap
1" Shadowline
165° Opening



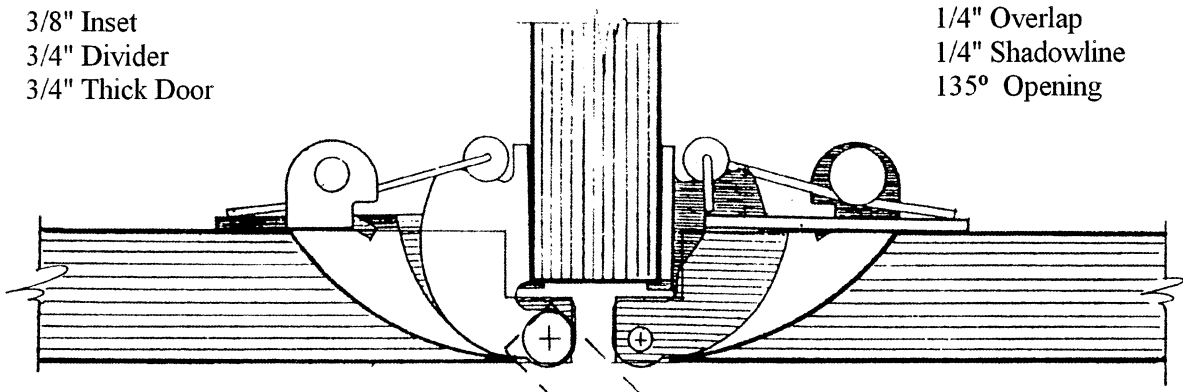
3/8" Inset
1-1/2" Face Frame
1" Thick Door

1/4" Overlap
1" Shadowline
155° Opening



3/8" Inset
3/4" Divider
3/4" Thick Door

1/4" Overlap
1/4" Shadowline
135° Opening



3/8" Inset
3/4" Divider
7/8" Thick Door

1/4" Overlap
1/4" Shadowline
115° Opening

