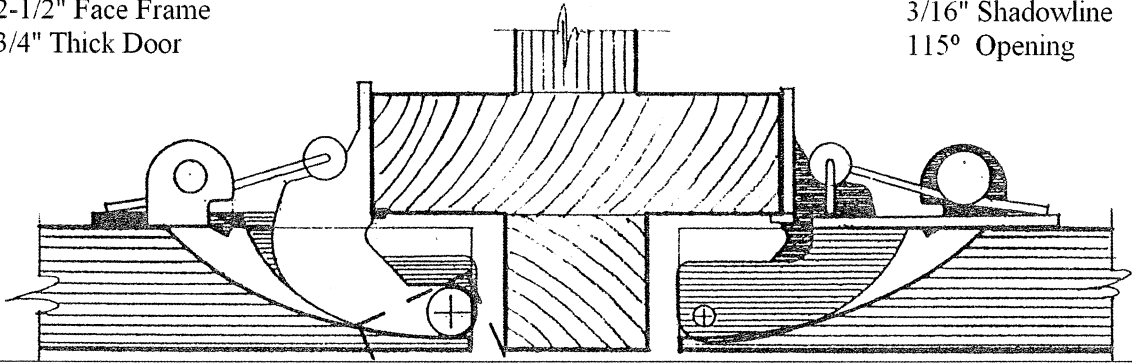


#8 YOUNGDALE SELF CLOSING HINGE

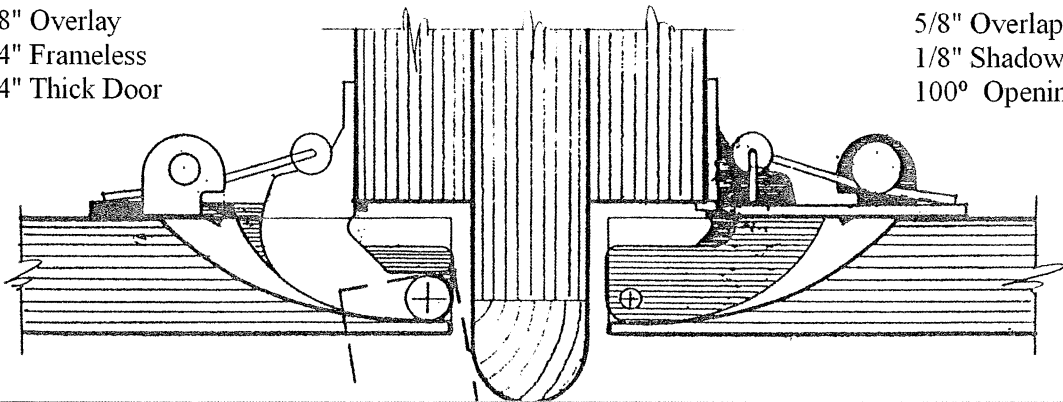
5/8" Overlay
2-1/2" Face Frame
3/4" Thick Door

5/8" Overlap
3/16" Shadowline
115° Opening



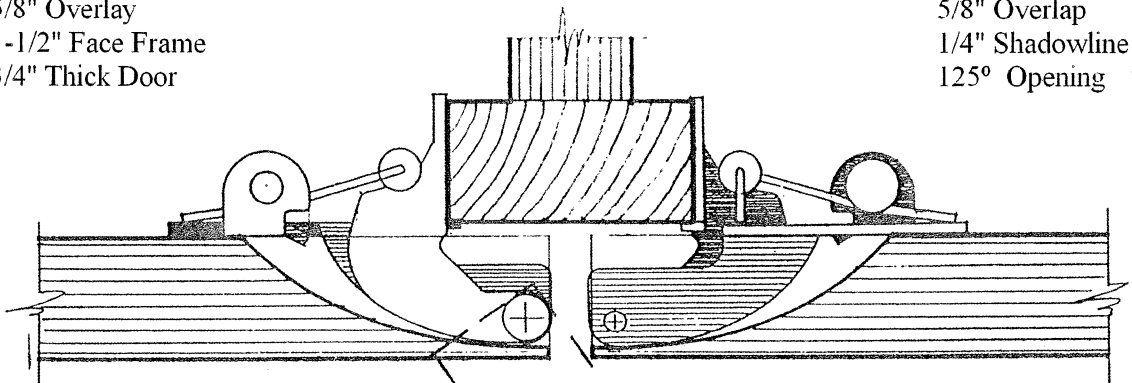
5/8" Overlay
3/4" Frameless
3/4" Thick Door

5/8" Overlap
1/8" Shadowline
100° Opening



5/8" Overlay
1-1/2" Face Frame
3/4" Thick Door

5/8" Overlap
1/4" Shadowline
125° Opening



5/8" Overlay
2-1/2" Face Frame
1" Thick Door

7/8" Overlap
3/4" Shadowline
140° Opening

